

-1-

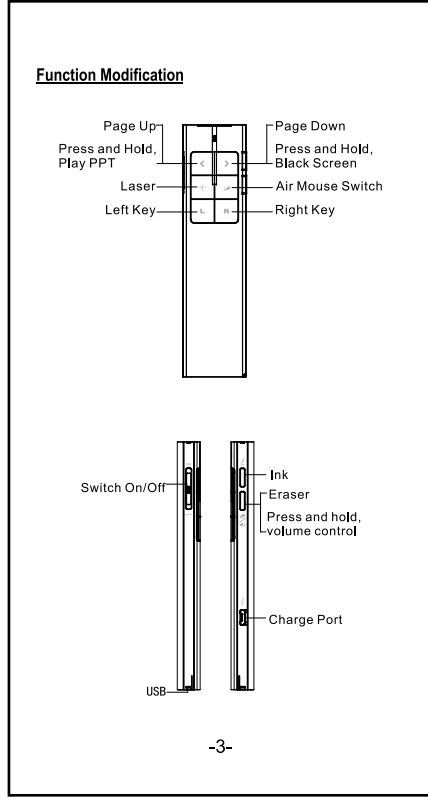
Overview
 Thanks for your purchase of this wireless air mouse presenter. It is a mini wireless remote with laser pointer and USB receiver.
 In meeting, lecturing, training and speech, this remote can perfectly operate the computer screen, HTPC and projectors, at a distance of 30m; you can also use it to enjoy home, theatre, car entertainment system, tablet and internet surfing.
 In most circumstances, the red laser pointer can be used for clearing presentation at a distance of 30m; you can walk freely to interact with the audience. Shortcuts like Page up and Page down allows you to browse data fast, the buttons are soft and easy to use.
 The plug-and-play USB receiver requires no software installation, which can be place back to receiver chamber to avoid being lost.

Operation system
 support Windows7, Windows8,8.1. Windows 10, Mac OS, Linux, Android 4.3 and above.

Package contents
 1) Wireless presenter*1
 2) User Manual*1
 3) Charging Cable*1

Specifications
 Technology: Radio Frequency
 Frequency: 2.4GHz
 Control Distance: >30m
 Battery: 360mAh Polymer Lithium Battery
 Working Voltage: 3.7V
 Sleep Current: <10μA
 Dimension 120*30*11.05mm
 Weight: 2g

-2-

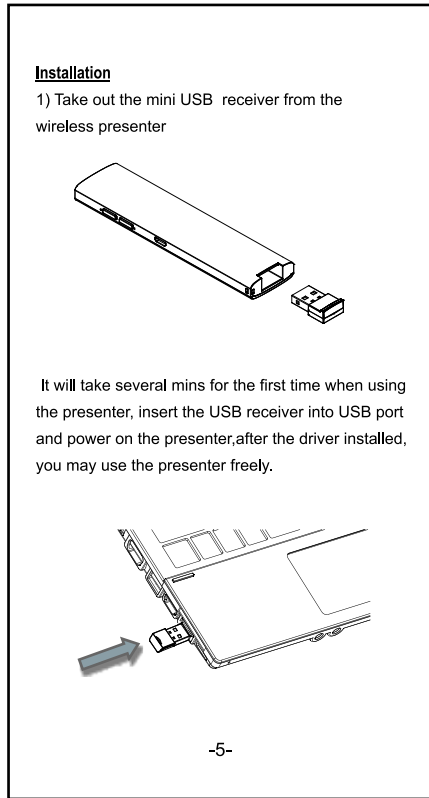


-3-

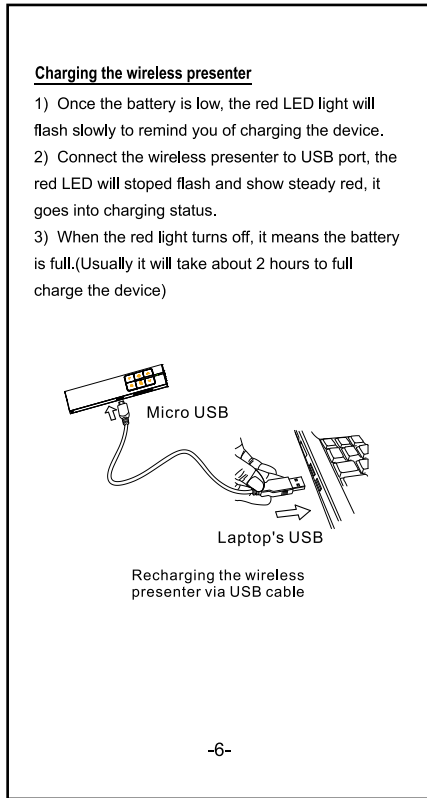
Function Description

- 1) Open PowerPoint files
- 2) Press "Page Up" button for 2 seconds to start the presentation, Press it again to Stop the presentation.
- 3) Simply press "Page Up" or "Page Down" to go forward/backward the presentation
- 4) Press "laser pointer" button to turn on the laser.
- 5) Press the mouse button to active the air mouse, press it again to lock the air mouse.
- 6) During the presentation, press the ink button and hold it to take notes, release to stop taking notes.
- 7) During the presentation, press eraser to wipe the notes.
- 8) Long press the "eraser" button to active the volume function, keep pressing it for 1 sec and hold it to control volume up/down by moving the presenter up/down

-4-



-5-



-6-

Warning
 Never try to open or repair this product yourself. Keep this device away from fluids, such as water

Maintenance

- Do not attempt to disassemble the device.
- Doing so will void the warranty.
- The battery will discharge if it is stored for a long time without operation.
- Do not expose the device in extreme heat or cold environment, which will shorten the battery life.

Disposal Always dispose the used appliance at a recycling centre. Do not dispose the used appliance together with the household waste.

-7-

Notice:
 Due to 2.4G wave technology adoption, the connection can be subject to interference from obstacles, like walls, metals or other electronic devices. Please keep the space between the keyboard and USB receiver free of obstacle.

In line with the policy of continued development, the manufacture reserves the right to amend the specifications without prior notification. The illustrations in the user manual are for reference only. Please operate according to the real design.

Website: www.zoweetek.com
 Email: info@zoweetek.com
 Contact: +86-755-85251755
 Add: 4/F, Block 1, Zhongkenuo Industrial Park, Hezhou Industrial Zone, Xixiang, Baoan District, Shenzhen, China

-8-